

**Evidence of performance**  
**Airborne sound insulation of building components**

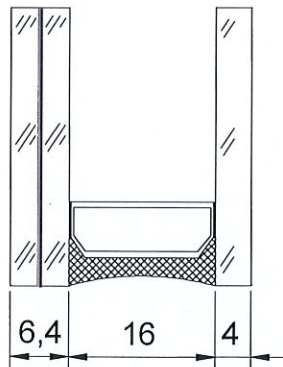
Test Report

No. GLA-1295.13/16 E

Client**Pilkington IGP Sp. z o.o.**

ul. Portowa 24

27-600 Sandomierz

Product:	Insulating glass unit
Construction:	33.1 / 16 / 4
Designation:	Optilam 6,4 mm 33.1 / 16 Ar / Optifloat 4 mm
Dimension:	1230 mm x 1480 mm
Gas filling:	Argon
Area related mass	26 kg/m <sup>2</sup>
Cross-section:	
Rating	Weighted sound reduction index $R_w$ and the spectrum adaptation terms: C and $C_{tr}$
Basis	EN ISO 10140-1:2010 EN ISO 10140-2:2010 EN ISO 717-1: 2013
Value	$R_w (C; C_{tr}) = 35 (-1; -5) \text{ dB}$

Łozienica, 12.01.2017

**PhD Krzysztof Mech**  
Head of Acoustics Laboratory